

Singer Sewing Machine

Model: 7258

Safety Instructions

- This appliance is not intended for use by persons (including children) with reduced physical, sensory or mental capabilities, or lack of experience and knowledge, unless they have been given supervision or instruction concerning use of the appliance by a person responsible for their safety. Children should be supervised to ensure that they do not play with the appliance.
- Use this sewing machine only for its intended use as described in the [Singer 7258 Instruction Manual](#)
- Keep fingers away from all moving parts. Special care is required around the sewing machine needle.
- Use only attachments recommended by the manufacturer.
- Never operate the sewing machine with any air openings blocked. Keep ventilation openings of the sewing machine and foot control free from the accumulation of lint, dust, and loose cloth.
- Never drop or insert any object into any opening.”
- Switch off or unplug the appliance when leaving it unattended.
- Never sew with a damaged needle plate as this can cause needle to break.
- Do not use bent needles.
- Do not pull or push fabric while stitching. It may deflect the needle causing it to break.
- Switch the sewing machine off when making any adjustments in the needle area, such as threading needle, changing needle, threading bobbin, or changing presser foot, etc.
- Unplug the foot controller of the appliance when leaving it unattended.

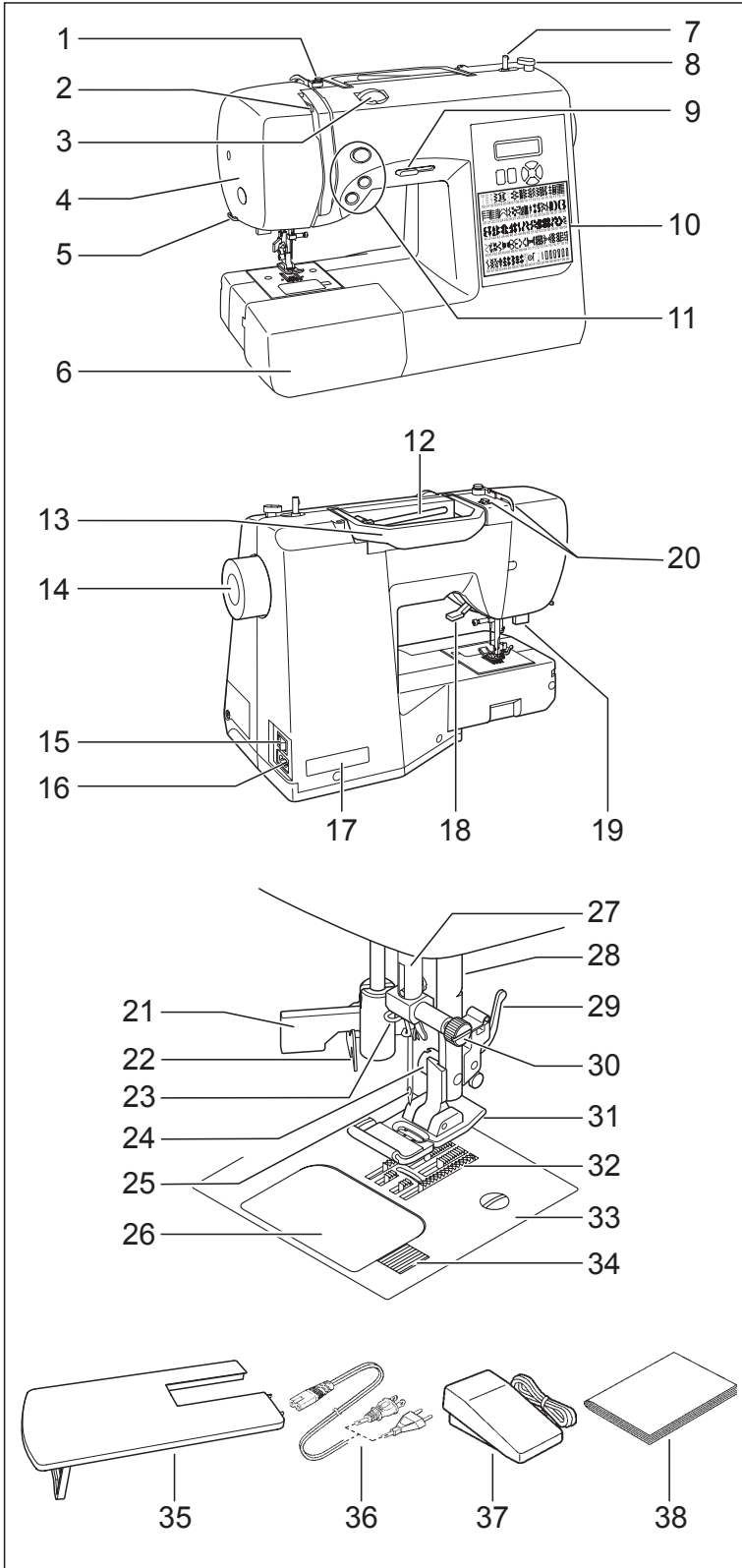
Use Instructions

- Do not attempt to use this sewing machine if you do not have previous experience with machine sewing.
- Detailed use information for this sewing machine may be found in the [Singer 7258 Instruction Manual](#).
- Connect with Pitsco Idea Shop staff for additional assistance.

1. KNOWING YOUR SEWING MACHINE

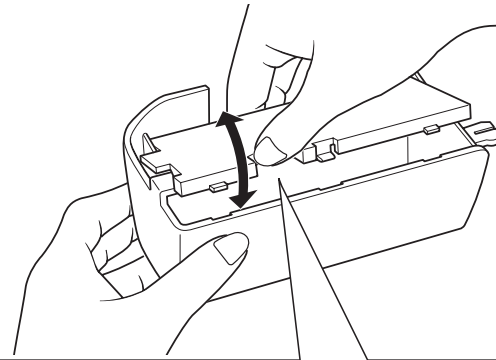
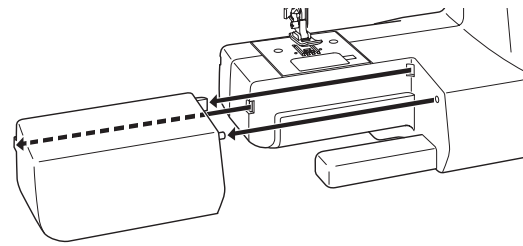
MACHINE IDENTIFICATION

1. Bobbin winding tension disk
2. Thread take-up
3. Thread tension control
4. Face cover
5. Thread cutter
6. Removable extension table/
Accessory box
7. Bobbin winder shaft
8. Bobbin winder stop
9. Sewing speed control
10. Pattern number reference guide
11. Operation buttons
12. Horizontal spool pin
13. Handle
14. Hand wheel
15. Power/light switch
16. Cord socket
17. Identification plate
18. Presser foot lifter
19. Buttonhole lever
20. Thread guide
21. Automatic needle threader
22. Thread guide
23. Thread guide
24. Presser foot screw
25. Needle
26. Bobbin cover plate
27. Needle bar
28. Thread cutter
29. Foot release lever
30. Needle clamp screw
31. Presser foot
32. Feed dogs
33. Needle plate
34. Bobbin cover release button
35. Large extension table (Optional)
36. Power line cord
37. Foot control
38. Instruction manual



ACCESSORIES

1. Needles
2. Bobbins (4 total - 1 in machine)
3. Auxiliary spool pin
4. Spool pin felt discs (2)
5. Spool pin cap (mini)
6. Spool pin cap (small)
7. Spool pin cap (large)
8. Buttonhole opener/Seam Ripper and Brush
9. Screwdriver for needle plate
10. Darning plate
11. Zipper foot
12. Satin stitch foot
13. Blind stitch foot
14. Buttonhole foot
15. Straight stitch foot
16. Overcasting foot
17. Darning & embroidery foot
18. Gathering foot
19. Rolled hem foot



The Foot that comes on your Sewing machine is called the General Purpose Foot and will be used for the majority of your sewing.

The Satin Foot (12) is another very useful foot and should be used for most decorative sewing.

When purchasing additional bobbins, be sure they are Class 15 J.

