

# Monoprice 3d Mini Printer

**Model:** Select 3d Mini Printer V2

## Safety Instructions

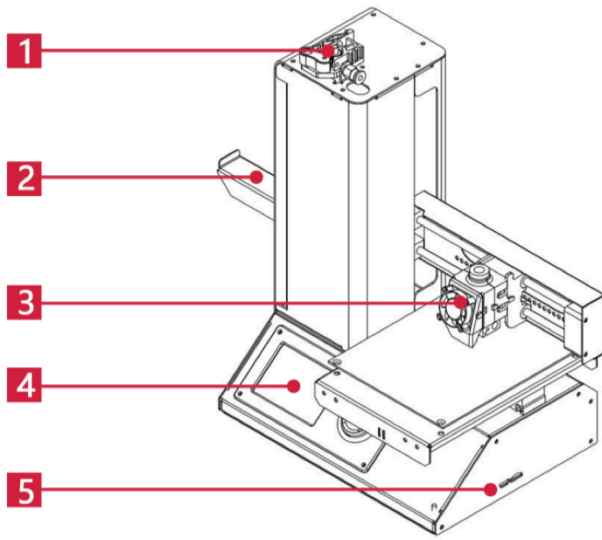
- Be careful not to damage the yellow film on the build plate.
- Do not remove the insulating tape on the extruder nozzle.
- Take care to avoid touching hot parts, including heat blocks, extruder nozzle, extruded filament, and the heated build plate.
- Do not wear gloves when operating or repairing to avoid entanglement.
- Do not remove or disconnect the USB cable when printing from a computer.
- Do not pull or twist the black cable at any time.
- Do not reach inside the printer during operation.
- Always allow the printer and extruded filament to cool before reaching inside.
- Do not expose this device to water or moisture of any kind.
- Do not place drinks or other containers with moisture on or near the device. If moisture does get in or on the device, immediately unplug it from the power outlet and allow it to fully dry before reapplying power.
- Never unplug the unit by pulling on the power cord. Always grasp the connector head or adapter body.
- Use only ABS or PLA filament with this unit as supplied by the Pitsco Idea Shop. Specific authorization must be obtained from Pitsco Idea Shop staff to use filament not supplied by the Pitsco Idea Shop.
- Request assistance from Pitsco Idea Shop staff when changing filaments.

## Use Instructions

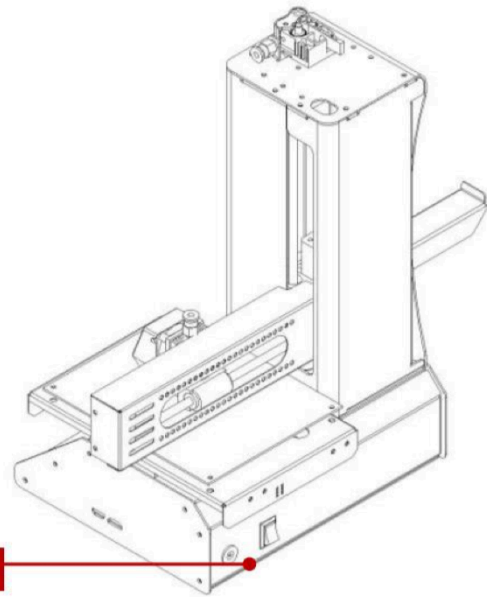
- Consult the [User Manual](#) for details as needed regarding printer operations and software functions.

## Menu System

- The menu system is displayed on the lighted LCD screen.
- The menu selection highlight or pointer is moved by pressing the top and bottom buttons to the right of the display.
- Pressing the top button moves the highlight/pointer to the left and up.
- Pressing the bottom button moves the highlight/pointer to the right and down.
- Pressing the top button while editing a value decreases that value.
- Pressing the bottom button while editing a value increases that value.
- Press the center button to activate the selected menu item or to save an edited value.



1. Feed Mechanism
2. Filament Rack
3. Extruder



4. LCD Display
5. Micro USB and MicroSD™ Ports
6. Input Power Jack and Power Switch