

# SawStop Table Saw

## 10" SawStop Contractor Table Saw

**Note:** Detailed instruction of the use of this table saw is required before patrons can be authorized to use it. Minimally, patron must have carefully studied of safety features of the saw in the manual – or have had previous experience with the SawStop brand table saw.

### Safety and Use Instructions

- Use this table saw for cutting wood and other non-conductive (dry) materials.
- Do not use this saw in by-pass mode. Connect with Pitsco Idea Shop staff for further information.
- Keep children away from the saw.
- Check to make sure the saw is in proper working order before using the saw. For example, check the alignment of moving parts, look to see whether moving parts are binding or rubbing, check to see whether parts are broken, make sure accessories are properly mounted in the saw, and check any other conditions that may affect the operation of the saw. A guard or other part that is damaged should be properly repaired or replaced. Connect with Pitsco Idea Shop staff for assistance.
- Keep guards in place and in working order. Never operate the saw with the belt guard open.
- Wear safety ANSI Z87.1 compliant eye protection. Always wear safety glasses or goggles when using the saw. Everyday eyeglasses are not safety glasses. Also use a face or dust mask if the cutting operation is dusty.
- Wear proper apparel when using the saw. Do not wear loose clothing, gloves, neckties, rings, bracelets, or other jewelry which may get caught in moving parts. Non-slip footwear is recommended. Wear a protective hair covering to contain long hair.
- You must install a rip fence before using this saw to rip wood. Attempting to use the saw for rip cutting without the rip fence could result in serious personal injury.
- Reduce the risk of unintentional starting by making sure the power switch is in the OFF position before plugging in the saw. Also, remove adjusting wrenches from the saw before turning it on.
- Keep hands out of the line of the saw blade. Never reach around or over the saw. Do not overreach or stretch to get something when using the saw. Keep proper footing and balance at all times.
- Never stand on the saw. Serious injury could occur if the saw is tipped or if the cutting tool is unintentionally contacted.
- Feed work into the blade against the direction of rotation of the blade only. Feeding the work in the direction of rotation may cause the work to be thrown by the blade and could result in serious personal injury.
- Do not perform any operation freehand. Freehand means not using a fence (for rip cuts) or a miter gauge (for cross-cuts) to guide the work piece as it is being cut. Always

maintain firm control over the material being cut. Connect with Pitsco Idea Shop staff for assistance.

- Use a blade guard and spreader for every operation for which it can be used, including all through sawing. Use a push stick when required.
- Secure your work. Use clamps or a vise to hold work when practical. It's safer than using your hand and it frees both hands to operate tool.
- Pay particular attention to instructions on reducing the risk of kickback. Kickback occurs when a work piece contacts the downstream edge of the blade as it is being cut and is propelled back towards the user at high velocity.
- Don't force the tool; it will do the job better and safer at the rate for which it was designed. For example, do not try to cut wood faster than the motor can handle.
- Use the right tool. Do not try to force the saw to do something it was not designed to do. Don't force a tool or attachment to do a job for which it was not designed. Use the right blade for the job. Connect with Pitsco Idea Shop staff for assistance if a special saw blade is needed.
- Never leave the saw running unattended. Wait until the blade comes to a complete stop and then turn the main power switch to OFF and unplug the power cord when you are finished using the saw.
- Turn the main power switch to OFF and unplug the power cord before servicing the saw and when changing components or accessories such as blades, brake cartridges, and the like. Connect with Pitsco Idea Shop staff for assistance.
- Maintain the saw as specified in this manual. Keep tools sharp and clean for best and safest performance. Follow instructions for lubrication and changing accessories. Connect with Pitsco Idea Shop staff for assistance.
- Use only recommended accessories with the saw. Consult this manual for recommended accessories. The use of improper accessories may cause risk of injury. When servicing, use only identical replacement parts.
- Keep the top of the saw clean and free from clutter. Cluttered areas invite accidents.
- The standard blade installed for the Pitsco Idea Shop is a 10" 40 tooth, combination cut blade. Request authorization to change the blade from Pitsco Idea Shop staff.
- Do not use this saw with dado blades – a special brake cartridge is required.

## TECHNICAL DATA

Model Number: CNS175

Induction Motor: 120 V, 60 Hz, Single Phase, 14/7 Amps, 1.75 HP

Blade Speed: 4000 FPM

Blade Size: 10 inches

Cutting Depth: 3-1/2 inches (89 mm)

Work Table Size: 12-5/16 x 11-7/8 inches

Table Bevel Angle: 0 to 45 degrees right

Blade Length: 59-1/2 inches (1511 mm)

Blade Width: 1/8 to 3/8 inches

Dust Port Size (Outer Diameter): 2-1/2 inches (64 mm)

Net Weight: 40 pounds

Assembled Dimensions: 19 X 14 X 29 Inches

[User Manual](#) (pdf)

# Get to Know Your Saw

The major components of your saw are identified below. Make sure you can identify these components in order to follow the instructions in this manual.

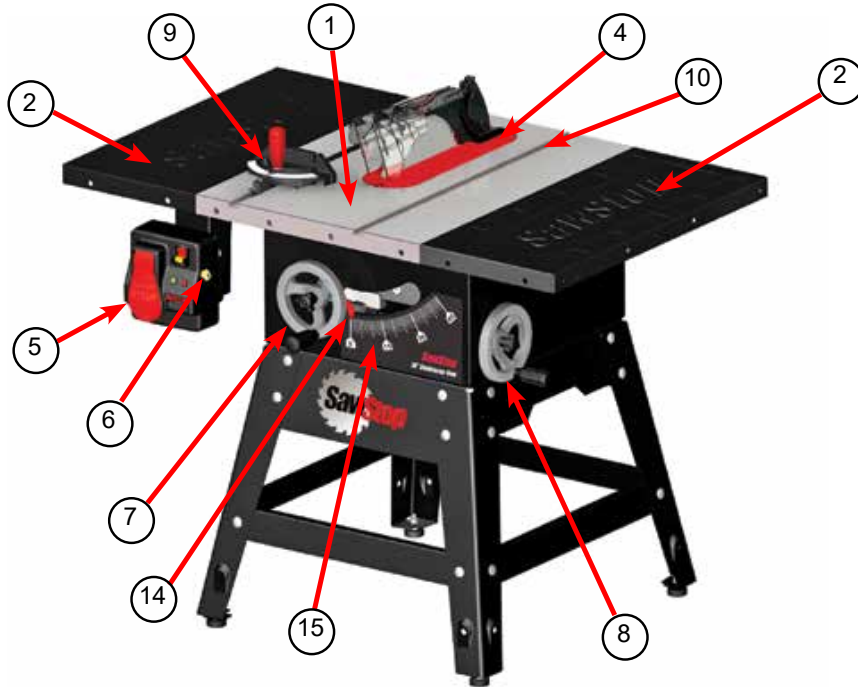


Fig. 23

## External Components

1. Table Top
2. Extension Wings
3. Blade Guard Assembly
4. Standard Table Insert
5. Switch Box
6. Bypass Key
7. Elevation Handwheel
8. Tilt Handwheel
9. Miter Gauge
10. Miter Gauge Slots
11. Spreader / Riving Knife Storage Pins (2)
12. Blade Wrenches (2)
13. Riving Knife
14. Tilt Angle Indicator
15. Tilt Angle Scale
16. Stand
17. Thermal Overload Switch
18. Push Stick

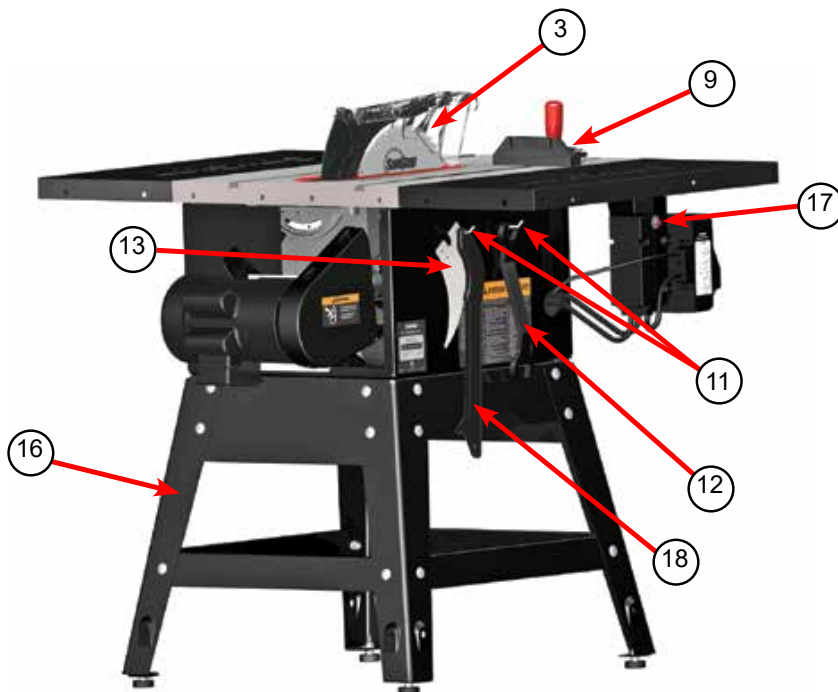


Fig. 24