

DeWalt Cordless Reciprocating Saw

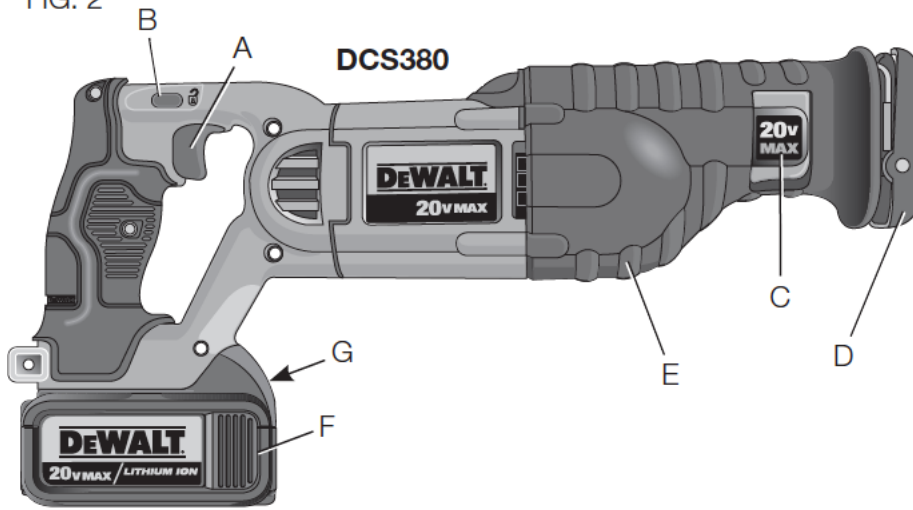
Model DCS381

Safety & Use Instructions

- Only use 20v DeWalt battery packs supplied by the Pitsco Idea Shop.
- Remove battery after use and place on recharging station.
- Seek assistance from Pitsco Idea Shop staff with any questions.
- Do not wear loose clothing, jewelry or long hair when using this tool.
- Wear safety glasses or ANSI Z87.1 compliant safety goggles.
- Hold power tool by insulated gripping surfaces, when performing an operation where the cutting accessory may contact hidden wiring.
- Use clamps or another practical way to secure and support the workpiece to a stable platform.
- Hold saw firmly with both hands for all cutting operations.
- Keep hands away from moving parts.
- Use only saw blades designed for reciprocating saws. Seek assistance from Pitsco Idea Shop staff for help with blades.
- Use saw blades designed for the material you are cutting. Seek assistance from Pitsco Idea Shop staff for help with blades.

[User Manual](#) (pdf)

FIG. 2



- A. Trigger switch
- B. Lock-off button
- C. Blade clamp release lever
- D. Shoe
- E. Hand grip
- F. Battery pack
- G. Battery release button

