

# DeWalt Cordless Wet/Dry Vacuum

Model DCV517

## Safety & Use Instructions

- Only use 20v DeWalt battery packs supplied by the Pitsco Idea Shop.
- Remove battery after use and place on recharging station.
- Seek assistance from Pitsco Idea Shop staff with any questions.
- DO NOT leave vacuum with battery installed
- DO NOT allow vacuum to be used as a toy. Close attention is necessary when used by or near children.
- USE ONLY as described in this instruction manual. Use only manufacturer's recommended attachments.
- If vacuum is not working as it should, has been dropped, damaged, left outdoors, or dropped into water, notify Pitsco Idea Shop staff.
- DO NOT handle vacuum with wet hands.
- KEEP hair, loose clothing, fingers, and all parts of body away from openings and moving parts.
- TURN OFF all controls before removing battery.
- USE EXTRA CARE when cleaning on stairs.
- DO NOT use to pick up flammable or combustible liquids such as gasoline or use in areas where they may be present.
- DO NOT pick up anything that is burning or smoking, such as cigarettes, matches or hot ashes.
- DO NOT use without filter in place.
- DO NOT use in areas where explosive vapors may be present.
- DO NOT use to pick up explosive dust, or in areas where air contains explosive dust such as coal, grain, or other combustible material.
- TO AVOID spontaneous combustion, empty tank after each use.
- DO NOT put any objects into openings. Do not use with any opening blocked; keep free of dust, lint, hair and everything that may reduce air flow.

[User Manual \(pdf\)](#)

Capacity: ½ gallon

- A. On/off switch
- B. Hose nozzle
- C. Vacuum nozzle

D. Hose connector

E. Tank inlet

(Fig. 2)

E. Rear latch

F. Tank

G. Battery pack

H. Battery release button

FIG. 1

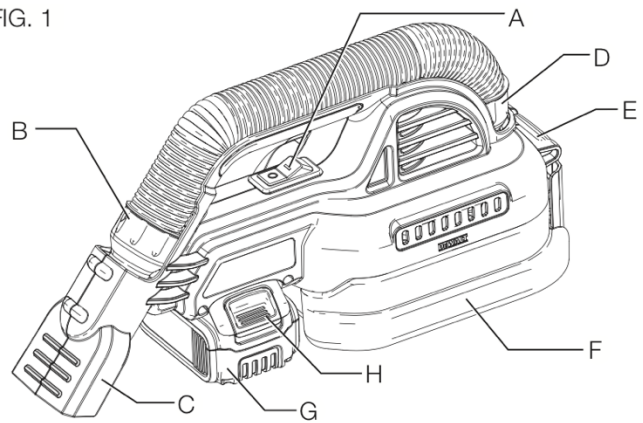


FIG. 2

