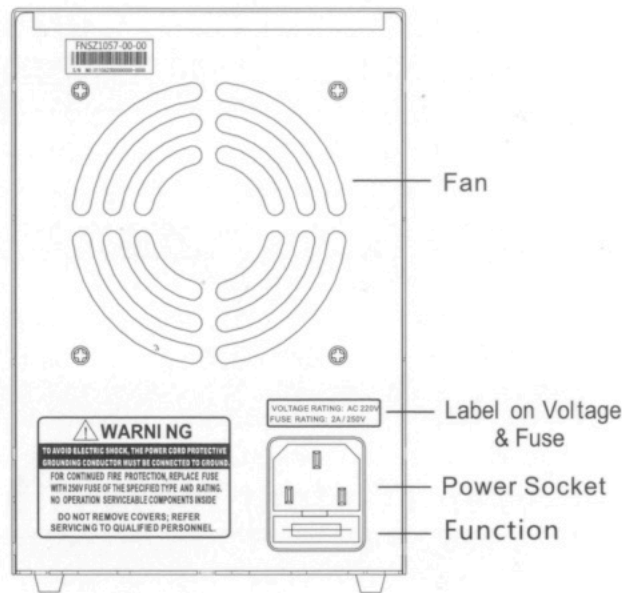
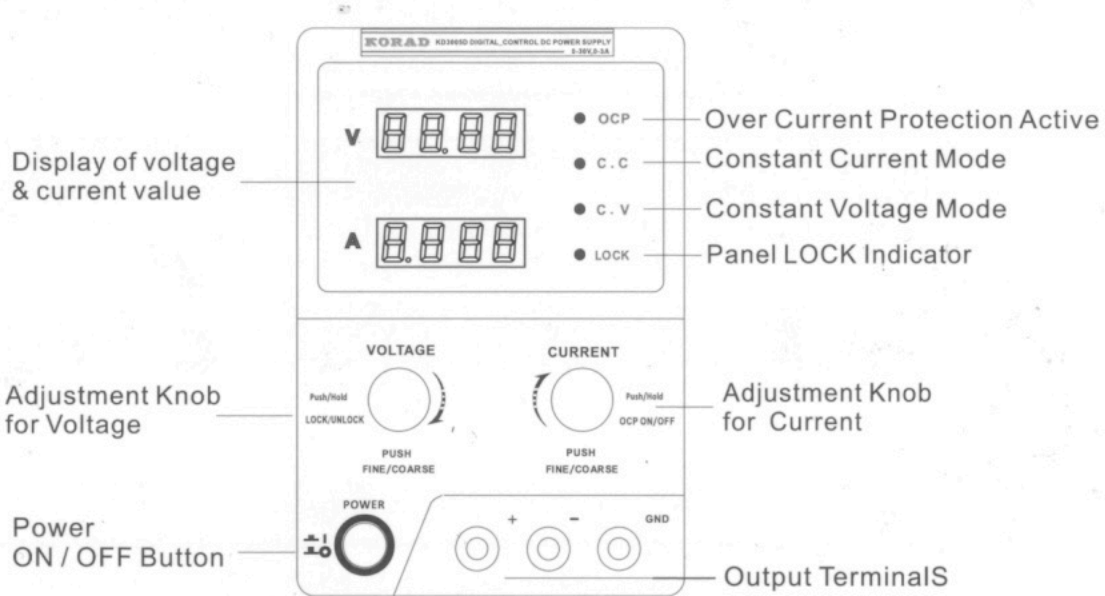


# Korad Digital Power Supply

**Model:** KD3005d

## Safety Instructions

- Always set the voltage and current levels to zero before attaching to a circuit.
- Ask for assistance from Pitsco Idea Shop staff if you are unfamiliar with the operation of electronic circuits and power supplies.
- Do not block or obstruct the cooling fan vent opening on the back of the unit.
- Avoid severe impacts or rough handling that could lead to damage.
- Do not discharge static electricity.
- Do not disassemble this unit.
- Connect the protective grounding conductor of the AC power cord to an earth ground to avoid electrical shock.
- Use AC input voltage of 110v/1120V at 60HZ.
- Use indoors with no direct sunlight in a dust free environment with almost non-conductive pollution.
- Use in temperatures between 32° and 104° F at altitudes less than 2000 meters.
- If a fuse is suspected of failing on the unit, alert Pitsco Idea Shop staff for fuse replacement.
- To ensure fire protection, fuse should be replaced with only the specified type and rating (T10A/250V).
- Disconnect the power cord before fuse replacement.
- Make sure the cause of the fuse blowout is fixed before fuse replacement.



## DISPLAY

Voltage level **v** 

Voltmeter displays the setup value of output voltage .

Current level **A** 

Displays the setup value of output current .

## Condition Indicators - LED Panel Lights

- **OCP** Over Current Protection indicator. When the power supply is in OCP mode this light is on.
- **C . C** C.C indicates constant current. When the power supply is in constant current mode, this light is on.
- **C . V** C.V indicates constant voltage. When the power supply is in constant voltage mode, this light is on.
- **LOCK** Panel LOCK Indicator

## Power Switch and Output Terminals

---

POWER



On / Off main power.



outputs voltage and current.



Connects the ground (earth ) terminal.

## Specifications:

Voltage: 0-30V

Current: 0-5A

### **Load Regulation**

Voltage:  $\leq 0.01\% + 2\text{mV}$

Current:  $\leq 0.1\% + 10\text{mA}$

### **Line Regulation**

Voltage:  $\leq 0.01\% + 3\text{mV}$

Current:  $\leq 0.1\% + 3\text{mA}$

### **Setup Resolution**

Voltage: 10mV

Current: 1mA

### **Setup Accuracy**

Voltage:  $\leq 0.5\% + 20\text{mV}$

Current:  $\leq 0.5\% + 10\text{mA}$

### **Ripple (20-20M)**

Voltage:  $\leq 2\text{mV}_{\text{rms}}$

Current:  $\leq 3\text{mA}_{\text{rms}}$

### **Temp. Coefficient**

Voltage:  $\leq 150\text{ppm}$

Current:  $\leq 150\text{ppm}$

### **Read Back Resolution**

Voltage: 10mV

Current: 1mA

### **Read Temp. Coefficient**

Voltage:  $\leq 150\text{ppm}$

Current:  $\leq 150\text{ppm}$