

DeWalt Corded Router

Model DCP611

Safety & Use Instructions

- Do not wear loose clothing, jewelry or long hair when using this tool.
- Hold power tool by insulated gripping surfaces, when performing an operation where the cutting accessory may contact hidden wiring.
- Use clamps or other practical way to secure and support the workpiece to a stable platform.
- Wear safety glasses or ANSI Z87.1 compliant safety goggles.
- Keep a firm grip on the tool at all times.
- Seek assistance from Pitsco Idea Shop staff with any questions.

Specific Router Safety

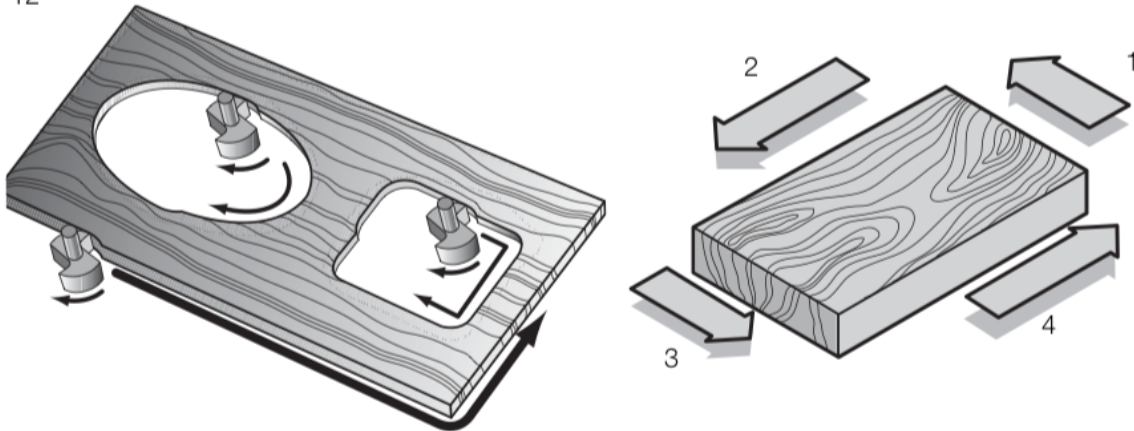
- Use only for cutting wood.
- Hold power tool by insulated gripping surfaces, because the cutter may contact its own cord.
- DO NOT cut metal.
- Keep handles and gripping surfaces dry, clean, and free from oil and grease. This will enable better control of the tool.
- Maintain firm grip with both hands on router to resist starting torque.
- Keep hands away from cutting area. Never reach under the workpiece for any reason. Keep the router base firmly in contact with the workpiece when cutting
- Never run the motor unit when it is not inserted in one of the router bases.
- Keep cutting pressure constant. Do not overload motor.
- Check to see that the cord will not snag or impede the routing operation.
- Use sharp cutters. Dull cutters may cause the router to swerve or stall under pressure.
- Be sure that the motor has stopped completely before you lay the router down.
- Be sure that the router bit is clear of the workpiece before starting the motor.
- ALWAYS disconnect tool from power source before making adjustments or changing bits.
- Keep hands clear of bit when motor is running to prevent personal injury.
- NEVER touch the bit immediately after use. It may be extremely hot.
- Provide clearance under workpiece for router bit when through-cutting.
- Tighten collet nut securely to prevent the bit from slipping.
- Never tighten collet nut without a bit.
- Do not use router bits with a diameter in excess of 1-3/8" (34.9 mm) in this tool.
- Always use cutters with a shank diameter of 1/4" (6.4 mm) which corresponds to the size of the collet in your tool.

- Always follow the bit manufacturer's speed recommendations as some bit designs require specific speeds for safety or performance.
- This router is not recommended for use in a router table.
- Avoid climb-cutting (cutting in direction opposite that shown in Figure 12). Climb-cutting increases the chance for loss of control resulting in possible injury.
- Seek assistance from Pitsco Idea Shop staff for changing router bits.

[User Manual \(pdf\)](#)

Direction of feed:

FIG. 12



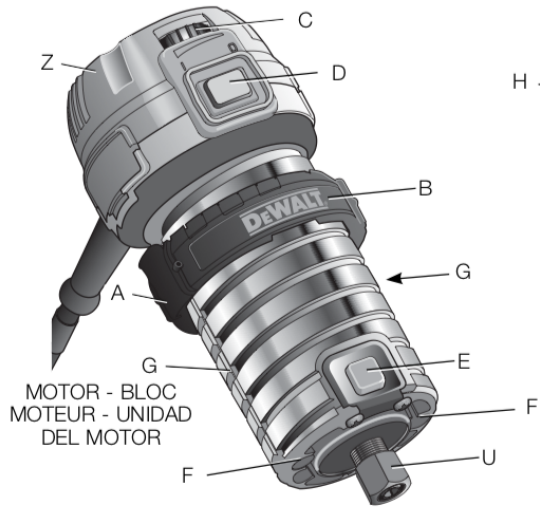
DIRECTION OF FEED (FIG. 12)

The direction of feed is very important when routing and can make the difference between a successful job and a ruined project. The figures show the proper direction of feed for some typical cuts. A general rule to follow is to move the router in a counterclockwise direction on an outside cut and a clockwise direction on an inside cut.

Shape the outside edge of a piece of stock by following these steps:

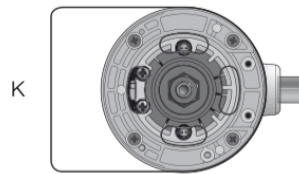
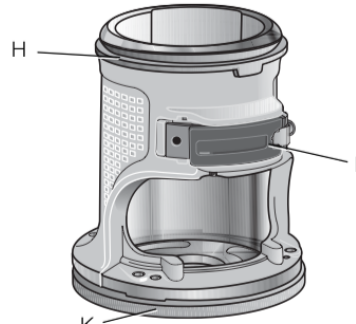
1. Shape the end grain, left to right
2. Shape the straight grain side moving left to right
3. Cut the other end grain side
4. Finish the remaining straight grain edge

FIG. 1

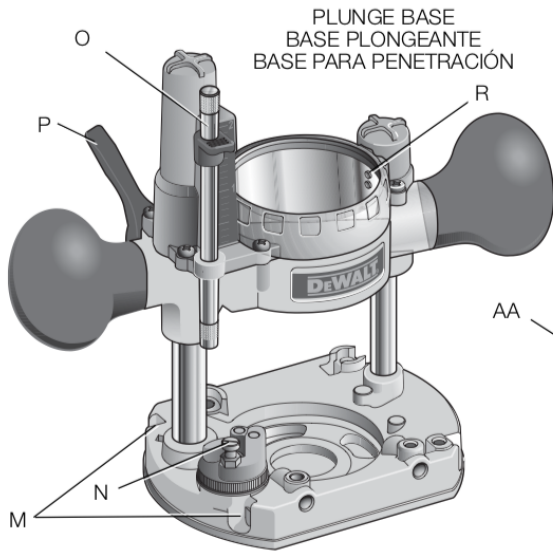


MOTOR - BLOC
MOTEUR - UNIDAD
DEL MOTOR

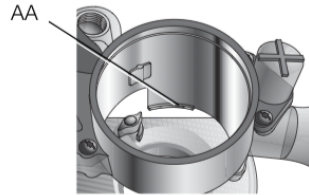
FIXED BASE - BASE FIXE - BASE FIJA



D-SHAPED SUBBASE
SEMELLE EN D
SUB-BASE EN FORMA DE D



PLUNGE BASE
BASE PLONGEANTE
BASE PARA PENETRACIÓN



- A. Quick release tabs
- B. Depth adjustment ring
- C. Variable speed dial
- D. On(l)/off (o) switch
- E. Spindle lock button
- F. Led lights
- G. Guide pin groove
- H. Micro adjustment scale
- I. Locking lever
- K. D-Subbase (available as an accessory)
- M. Holes for premium edge guide (sold separately)
- N. Turret stop
- O. Depth adjustment rod P. Plunge lock lever
- R. Guide pins
- S. Locking lever adjustment screw
- Z. Motor unit
- AA. Motor stop