

Epson Ink-Jet Printer

Model: WF-7710

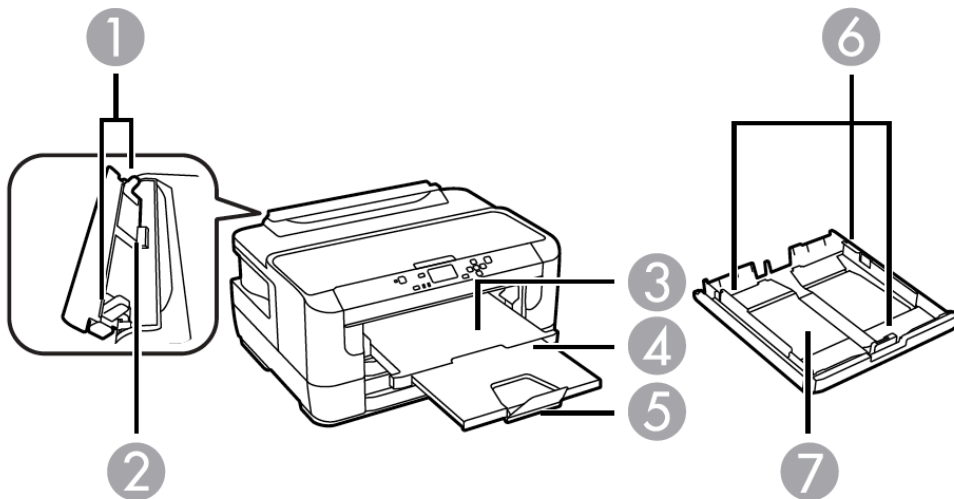
Safety Instructions

- Always turn off the printer using the power button and wait until the power light stops flashing before unplugging the printer or cutting off power to the electrical outlet.
- Leave enough space in front of the printer for the paper to be fully ejected.
- Avoid locations that are subject to rapid changes in heat or humidity, shocks or vibrations, or dust.
- Do not place the printer near a radiator or heating vent or in direct sunlight.
- Do not block or cover openings in the case or insert objects through the slots.
- When connecting the printer to a computer or other device with a cable, ensure the correct orientation of the connectors. Each connector has only one correct orientation. Inserting a connector in the wrong orientation may damage both devices connected by the cable.
- Do not touch the flat white cable inside the printer.
- Do not move the print head by hand; this may damage the printer.
- Do not spill liquid on the printer.
- Do not insert objects into the slots in the printer.
- Leave the ink cartridges installed. Removing the cartridges can dehydrate the print head and may prevent the printer from printing.
- Keep ink cartridges out of the reach of children and do not drink the ink.
- If the printer is low on ink, contact Pitsco Idea Shop staff for assistance. Do not replace any ink cartridges yourself.
- Use only a dry, soft cloth to clean the LCD screen. Do not use liquid or chemical cleansers.
- Do not press too hard on the LCD screen.
- Do not use a pointy or sharp object, such as a pen or your fingernail, to operate the LCD screen.
- Do not use this printer if you have a cardiac pacemaker.

Use Instructions

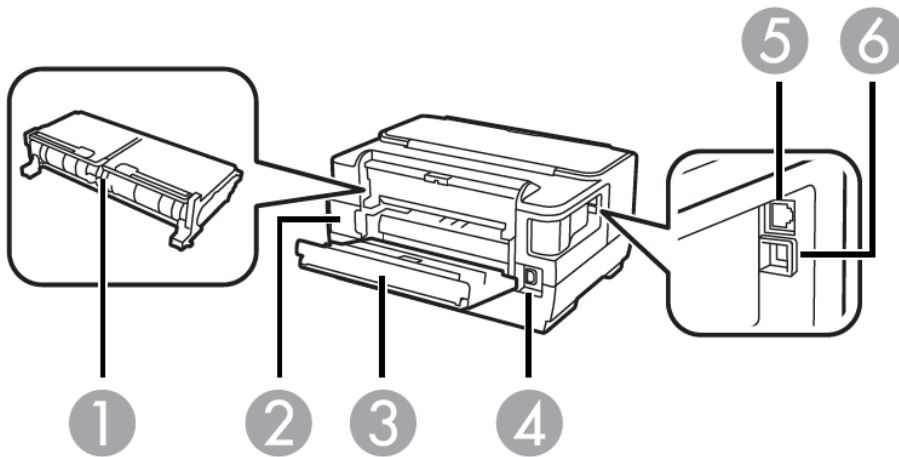
- Detailed use information for printer operations and connectivity may be found in the [Epson WF-7710 User Guide](#)
- Connect with Pitsco Idea Shop staff for additional assistance.

Printer Parts – Top



1. Sheet feeder edge guides
2. Rear paper feed slot
3. Output tray
4. Output tray extension
5. Paper stopper
6. Cassette edge guides
7. Paper cassette

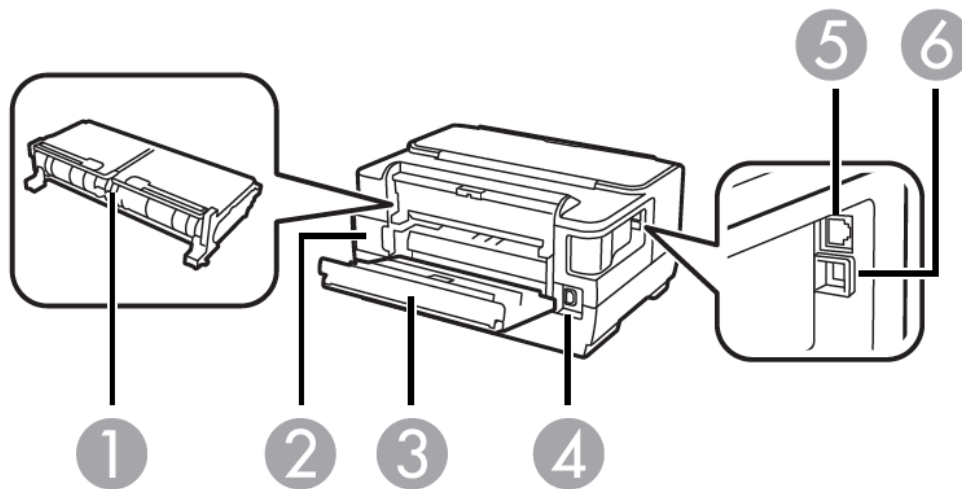
Printer Parts - Inside



Printer Parts - Inside

1. Printer cover
2. Paper cassette 1
3. Paper cassette 2
4. Print head (do not remove)
5. Cartridge holder
6. Cartridge cover

Printer Parts - Back



1. Duplexer
2. Maintenance box
3. Rear cover
4. AC inlet
5. Ethernet LAN port
6. USB port