

# DeWalt Cordless Jig Saw

Model DCS334

## Safety & Use Instructions

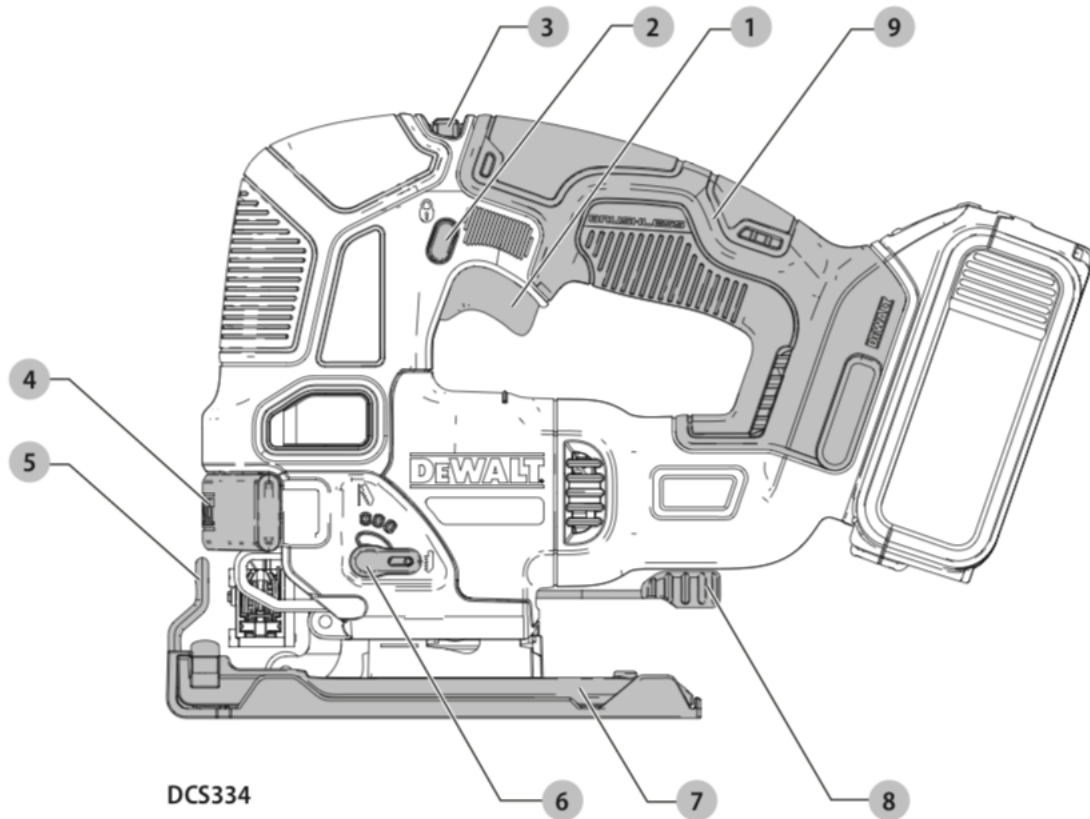
- Do not wear loose clothing, jewelry or long hair when using this tool.
- Hold power tool by insulated gripping surfaces, when performing an operation where the cutting accessory may contact hidden wiring.
- Use clamps or other practical way to secure and support the workpiece to a stable platform.
- Wear safety glasses or ANSI Z87.1 compliant safety goggles.
- Keep a firm grip on the tool at all times.
- Only use 20v DeWalt battery packs supplied by the Pitsco Idea Shop.
- Remove battery after use and place on recharging station.
- Seek assistance from Pitsco Idea Shop staff with any questions.

## Specific Saw Safety

- Use only for cutting wood and soft metals.
- Treated or previously painted wood should not be cut with this tool in the Pitsco Idea Shop
- DANGER: Keep hands away from cutting area and the blade. Keep your second hand on auxiliary handle, or motor housing.
- Do not reach underneath the workpiece
- Never hold piece being cut in your hands or across your leg, secure the workpiece to a stable platform.
- Always use blades appropriate for the material you are cutting. Seek assistance from Pitsco Idea Shop staff for help with saw blades.
- Allow the motor to come to a complete stop before withdrawing the blade from the kerf (the slot created by cutting)
- Keep handles dry, clean, free from oil and grease. This will enable better control of the tool.
- Do not operate this tool for long periods of time.

[User Manual \(pdf\)](#)

Fig. A



- 1 Variable speed trigger (DCS334), On/Off switch (DCS335)
- 2 Lock-off button (DCS334 only)
- 3 Speed control dial
- 4 Blade release latch
- 5 Finger guard
- 6 Orbital action lever
- 7 Shoe
- 8 Shoe bevel lever
- 9 Handle



**WARNING: Read all safety warnings and all instructions.** Failure to follow the warnings and instructions may result in electric shock, fire and/or serious injury.



**WARNING: To reduce the risk of injury, read the instruction manual.**

If you have any questions or comments about this or any DEWALT tool, call us toll free at: 1-800-4-DEWALT (1-800-433-9258).