

# DeWalt Cordless Oscillating Multi-tool

Model DCS355

## Safety & Use Instructions

- Only use 20v DeWalt battery packs supplied by the Pitsco Idea Shop.
- Remove battery after use and place on recharging station.
- Seek assistance from Pitsco Idea Shop staff with any questions.
- Do not wear loose clothing, jewelry or long hair when using this tool.
- Wear safety glasses or ANSI Z87.1 compliant safety goggles.
- Wear a dust mask during prolonged use.
- Hold power tool by insulated gripping surfaces, when performing an operation where the cutting accessory may contact hidden wiring or its own cord.
- Use clamps or another practical way to secure and support the workpiece to a stable platform.
- Avoid prolonged contact with dust from power sanding, sawing, grinding, drilling, and other construction activities. Wear protective clothing and wash exposed areas with soap and water.
- Only use accessories designed for this tool.
- Seek assistance from Pitsco Idea Shop staff in determining correct accessory for use.

[User Manual \(pdf\)](#)

## Compatible Accessories & Blades

Oscillating Sanding Pad

Oscillating Wood with Nails Blade

Wide Titanium Oscillating Wood & Nails Blade

Oscillating Hardwood Blade

Oscillating Fastcut Wood Blade

Wide Oscillating Fastcut Wood Blade

Oscillating Wood Detail Blade

Oscillating Titanium Metal Blade

Oscillating Semicircle Blade

Oscillating Titanium Semicircle Blade

Oscillating Flush Cut Blade

Titanium Oscillating Flush Cut Blade

Oscillating Multi-Material Blade

Oscillating Rigid Scraper Blade

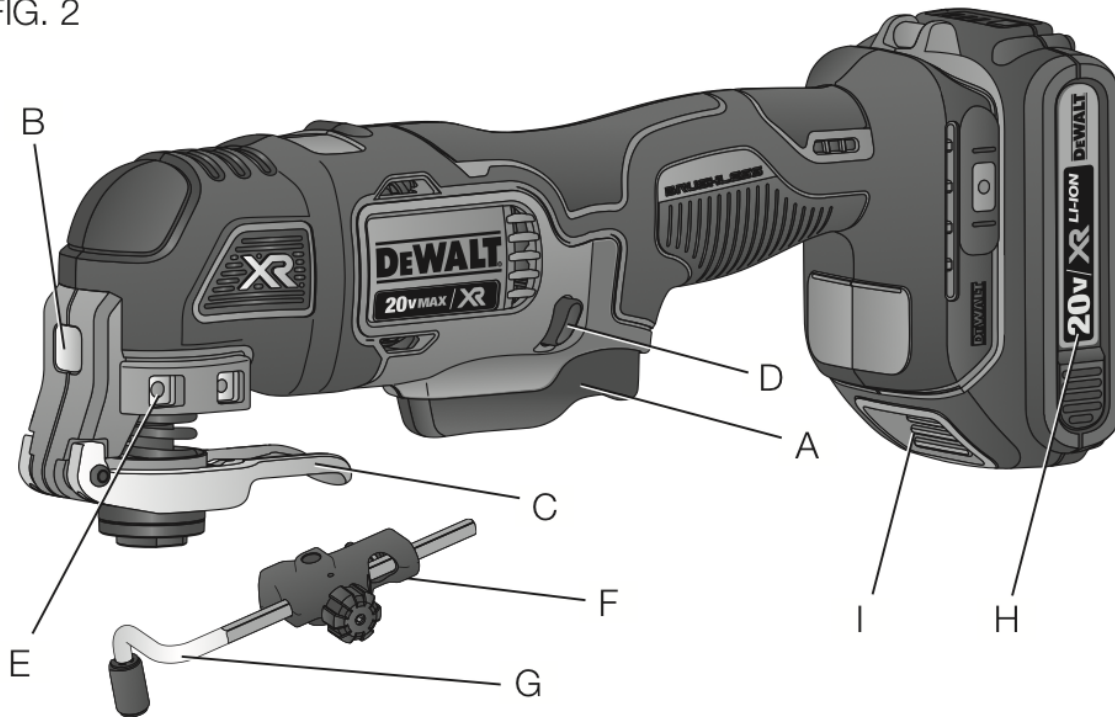
Oscillating Flexible Scraper Blade

Oscillating Carbide Grout Removal Blade

Oscillating Fastcut Carbide Grout Removal Blade

Oscillating Carbide Rasp

FIG. 2



## **COMPONENTS (Fig. 2)**

**⚠ WARNING:** Never modify the power tool or any part of it. Damage or personal injury could result.

- A. Variable speed trigger
- B. LED worklight
- C. Accessory clamp lever
- D. Lock on/off button
- E. Accessory side mount
- F. Cut guide block
- G. Cut guide arm
- H. Battery pack
- I. Battery release button