

# DeWalt Corded Random Orbital Sander

Model DWE6423

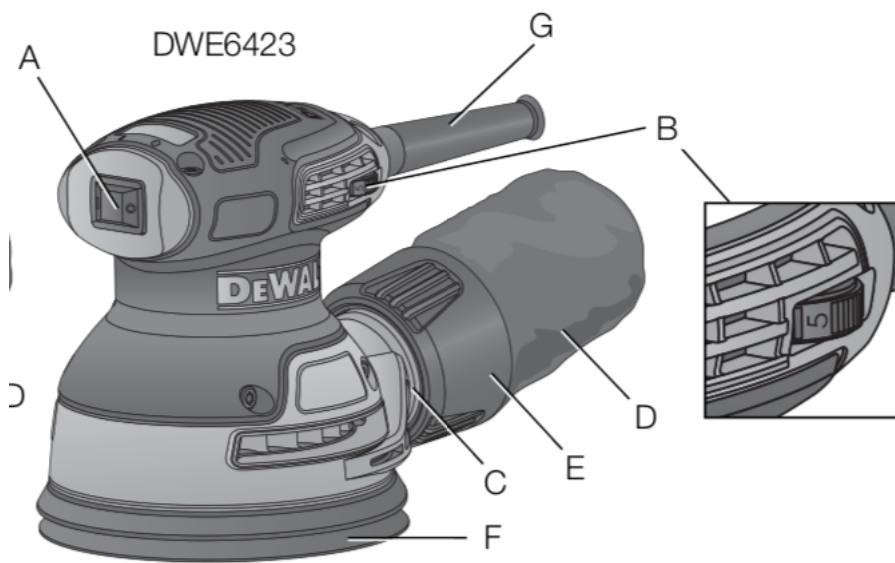
## Safety & Use Instructions

- Do not wear loose clothing, jewelry or long hair when using this tool.
- Use clamps or other practical way to secure and support the workpiece to a stable platform.
- Wear safety glasses or ANSI Z87.1 compliant safety goggles.
- Wear a dust mask during operation of the sander.
- Be sure anyone in the immediate vicinity of the sanding operation is wearing a dust mask.
- Keep a firm grip on the tool at all times.
- Use only 5" (125 mm) sanding discs with an 8-hole dust extraction pattern. These discs use a hook & loop attachment system. See the User Manual or contact Pitsco Idea Shop staff with any questions or assistance with attaching sanding discs.
- This sander is to be operated at all times with its dust bag in place.
- Empty the dust bag frequently during sanding operations.
- The dust bag should be emptied into a trash receptacle after each use.
- Clean up the work area and floor when finished sanding to remove all accumulated dust.

## Specific Sander Safety

- Do not sand pre-painted materials in the Pitsco Idea Shop.
- Do not overload the sander by pressing the sander forcibly against the workpiece.
- Take care to not bend the strain relief at a sharp angle when wrapping the cord around the sander for storage.
- Do not start the sander when it is in contact with the workpiece or work surface.
- Keep the sander moving over the surface of the workpiece to avoid excessive removal of material.
- Always unplug the sander when changing sanding discs.
- Adjust the sander speed as needed. Generally harder surfaces will need faster speeds and soft surfaces will require slower speeds.
- Increased sander speed will result in removal of material at a faster rate.
- Change sanding discs as needed. Sanding discs wear down at different rates in various sanding operations. If desired, seek assistance from Pitsco Idea Shop staff for assistance in changing the discs.

[User Manual \(pdf\)](#)



- A. On/Off switch
- B. Speed control dial
- C. Dust extraction outlet
- D. Dust bag
- E. Dust bag collar
- F. Sanding pad
- G. Strain relief