

Dayton Scroll Saw

Model 38UK50

Safety Warnings

- Wear proper apparel. Do not wear loose clothing, gloves, neckties, rings, bracelets or other jewelry which may get caught up in moving parts of machine.
- Wear protective hair covering to contain long hair.
- Wear safety shoes with non-slip soles.
- Wear safety glasses complying with United States ANSI Z87.1.
- Wear face mask or dust mask if operation is dusty.
- Never operate power tools when tired, intoxicated or when taking medications that cause drowsiness.
- Keep visitors at a safe distance from work area.
- Do not force tool. It will work most efficiently at the rate for which it was designed.
- Turn tool off if it jams and unplug power cord before removing jam.
- Keep hands away from moving parts and cutting surfaces.
- Never leave a tool running unattended. Turn the power off and do not leave tool until it comes to a complete stop.
- Do not overreach. Keep proper footing and balance.
- Feed the wood slowly against the saw blade as the blade teeth are small.
- The saw is best suited for sheets of wood less than 25 mm (1") thick.
- Feed the wood especially slowly against the blade and avoid abrupt curves to prevent the saw blade from breaking, if you wish to cut wood sheets thicker than 25 mm (1").
- Try and make sure that the saw blade follows the grain of the wood in order to obtain a clean cut.
- Cut only wood stock on this saw – no metal please.

TECHNICAL DATA

Model Number: 38UK50

Motor: 1/6 HP, 120v, 60 HZ, 1.2A

Throat Depth: 16"

Cutting Height (Max): 2"

Saw Blade Length: 5"

Stroke: 19/32"

Stroke Speed per minute: 550-1650

Unit: 24-3/4" x 11-7/16" x 12-13/16"

Table: 10-11/16" x 16 -5/16", tilts left 0°-45°"

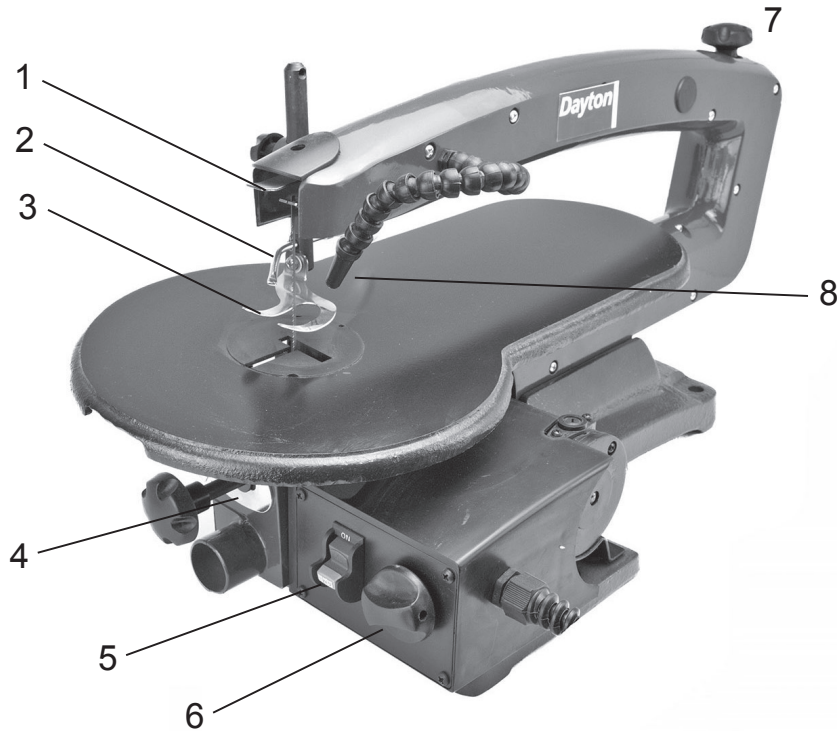
Dust Port Diameter: 1-3/8"

[User Manual](#) (pdf)

Blade Suggestions – see Pitsco Idea Shop staff for assistance in blade selection and blade changes.

Teeth Per Inch	Width (inches)	Thickness (inches)	Speed (spm)	Material
10	.110	.020	3000	Hard & soft materials 3/16" to 2" thick
15	.110	0.20	2480	Extremely thin cuts on materials 3/32" to 1/8" thick
18	.095	0.10	1650	For tight radius work in thin materials 3/32" to 1/8" thick

Scroll saw design features



1. Clamping screw: for removing the saw blade.
2. Shavings blower: keeps the work piece area free from dust.
3. Work piece holder
4. Angle scale: scale shows the tilting angle of the table.
5. On/Off power switch
6. Variable speed switch
7. Blade tension knob
8. Adjustable light