

DeWalt Cordless Grinder

Model DCG412

Safety & Use Instructions

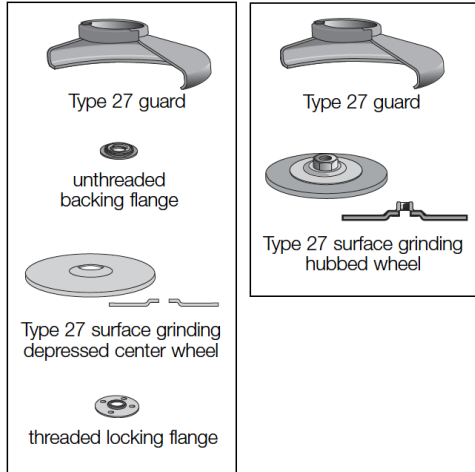
- Only use 20v DeWalt battery packs supplied by the Pitsco Idea Shop.
- Remove battery after use and place on recharging station.
- Seek assistance from Pitsco Idea Shop staff with any questions.
- Do not wear loose clothing, jewelry or long hair when using this tool.
- Wear ANSI Z87.1 compliant safety goggles.
- Wear personal protective equipment. Depending on application, use face shield, safety goggles or safety glasses. As appropriate, wear dust mask, hearing protectors, gloves and workshop apron capable of stopping small abrasive or workpiece fragments.
- Keep bystanders a safe distance away from work area.
- Anyone entering the work area must wear personal protective equipment.
- When starting the tool with a new or replacement wheel, or a new or replacement wire brush installed, hold the tool in a well protected area and let it run for one minute.
- Position the cord clear of the spinning accessory.
- Never lay the power tool down until the accessory has come to a complete stop.
- Do not run the power tool while carrying it at your side.
- Do not operate the power tool near flammable materials.
- Always use side handle. Tighten the handle securely.
- Maintain a firm grip on the power tool and position your body and arm to allow you to resist kickback forces.
- Never place your hand near the rotating accessory.
- Do not position your body in the area where power tool will move if kickback occurs.
- Use special care when working corners, sharp edges etc.
- Use only wheel types that are recommended for your power tool and the specific guard designed for the selected wheel.
- The grinding surface of center depressed wheels must be mounted below the plane of the guard lip.
- The guard must be securely attached to the power tool and positioned for maximum safety, so the least amount of wheel is exposed towards the operator.
- Wheels must be used only for recommended applications. Seek assistance from Pitsco Idea Shop staff for help with wheels.
- Do not “jam” the cut-off wheel or apply excessive pressure. Do not attempt to make an excessive depth of cut.
- Do not position your body in line with and behind the rotating wheel.
- When wheel is binding or when interrupting a cut for any reason, switch off the power tool and hold the power tool motionless until the wheel comes to a complete stop.

- Do not restart the cutting operation in the workpiece. Let the wheel reach full speed and carefully reenter the cut.
- Support panels or any oversized workpiece to minimize the risk of wheel pinching and kickback.
- Use extra caution when making a “pocket cut” into existing walls or other blind areas. a) Do not use excessively oversized sanding disc paper.
- Follow manufacturers recommendations, when selecting sanding paper. Be certain it is sized for this tool. Seek assistance from Pitsco Idea Shop staff.
- Do not allow any loose portion of the polishing bonnet or its attachment strings to spin freely. Tuck away or trim any loose attachment strings.
- Be aware that wire bristles are thrown by the brush even during ordinary operation. Do not overstress the wires by applying excessive load to the brush.
- If the use of a guard is recommended for wire brushing, do not allow any interference of the wire wheel or brush with the guard.

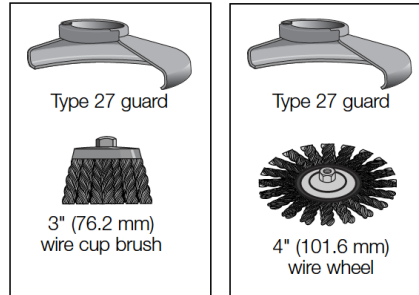
[User Manual \(pdf\)](#)

Accessories:

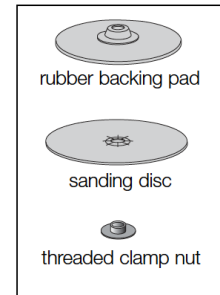
**4-1/2", 5" (115 mm, 125 mm)
Surface Grinding Wheels**



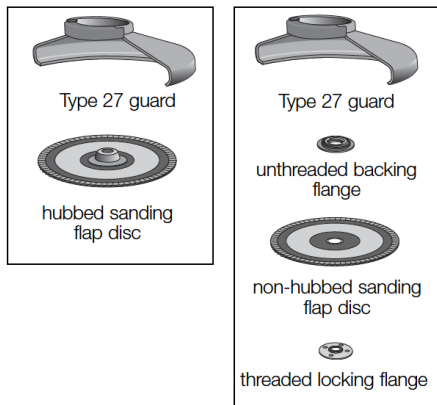
Wire Wheels



Sanding Discs



**4-1/2", 5" (115 mm, 125 mm)
Sanding Flap Discs**



**4-1/2", 5" (115 mm, 125 mm)
Cutting Wheels**

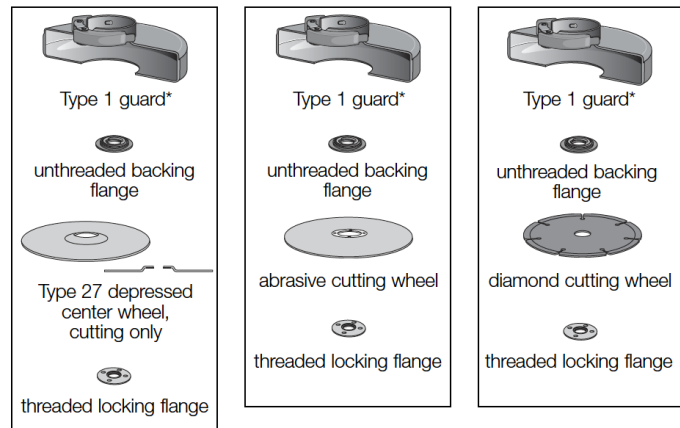
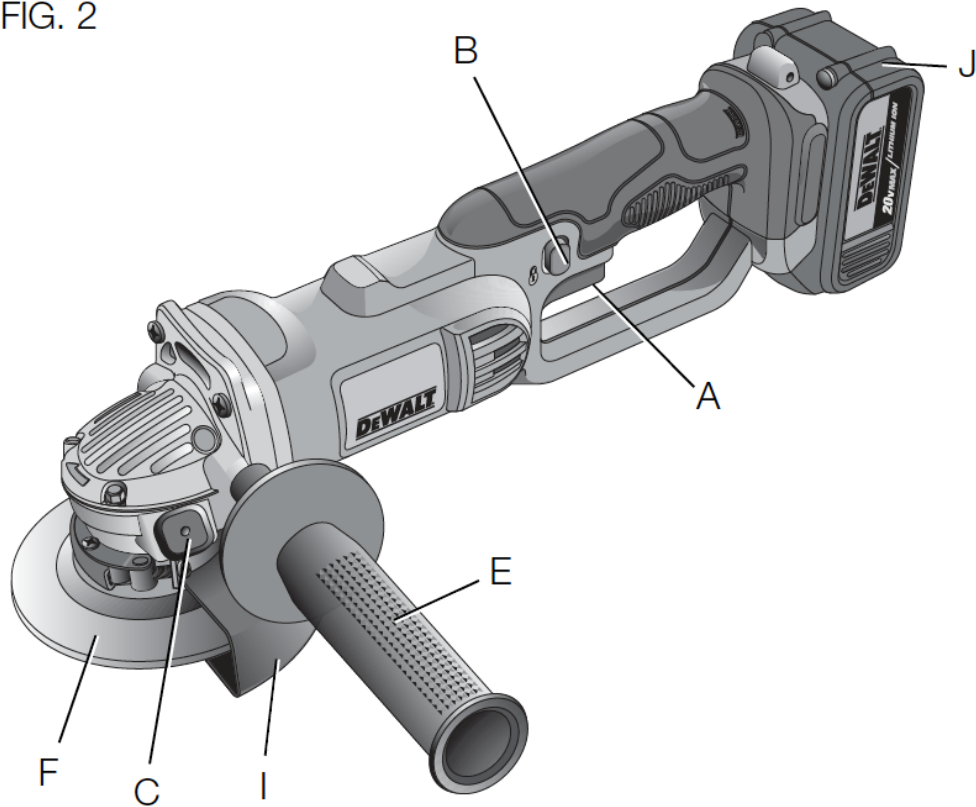


FIG. 2



Components (Fig. 2, 9)

- A. Trigger switch
- B. Lock-off button
- C. Spindle lock button
- D. Spindle (Fig. 9)
- E. Side handle
- F. Grinding wheel (5"/125 mm)
- G. Unthreaded backing flange (Fig. 9)
- H. Threaded locking flange (Fig. 9)
- I. Type 27 Guard (5"/125 mm)
- J. Battery pack