

DeWalt Cordless Drill/Driver

Models DCD777, DCD780, and DCD740

Safety & Use Instructions

- Do not wear loose clothing, jewelry or long hair when using this tool.
- Hold power tool by insulated gripping surfaces, when performing an operation where the cutting accessory may contact hidden wiring.
- Use clamps or other practical way to secure and support the workpiece to a stable platform.
- Wear ANSI Z87.1 compliant safety goggles.
- Keep a firm grip on the tool at all times.
- Do not operate this tool for long periods of time.
- Only use 20v DeWalt battery packs supplied by the Idea Shop.
- Remove battery after use and place on recharging station.
- Seek assistance from Pitsco Idea Shop staff with any questions.

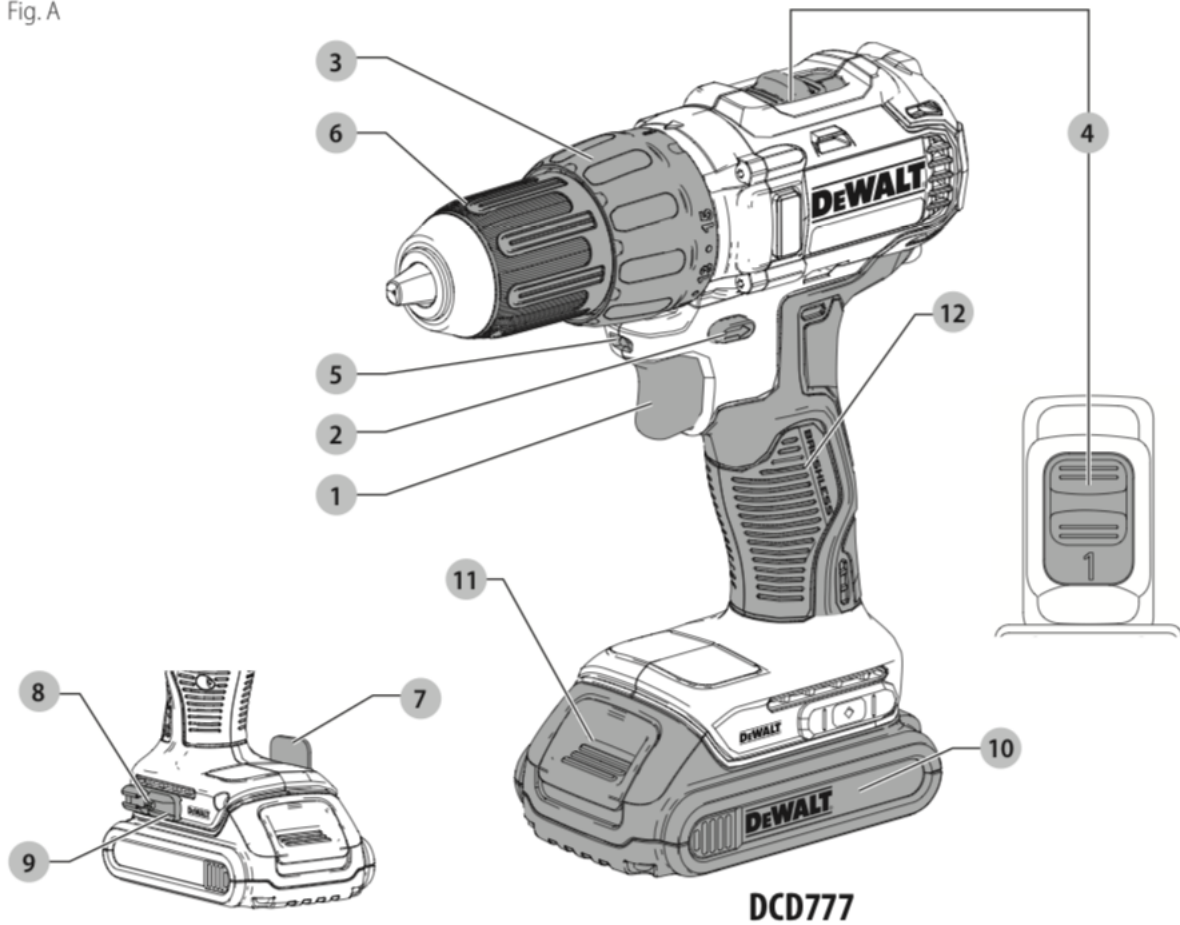
DCD777	User Manual (pdf)
DCD780	User Manual (pdf)
DCD740	User Manual (pdf)

MAXIMUM RECOMMENDED CAPACITIES

	DCD777	DCD778
Wood	1" (25 mm)	1" (25 mm)
Steel	1/2" (13 mm)	1/2" (13 mm)
Masonry	–	1/4" (6.5 mm)

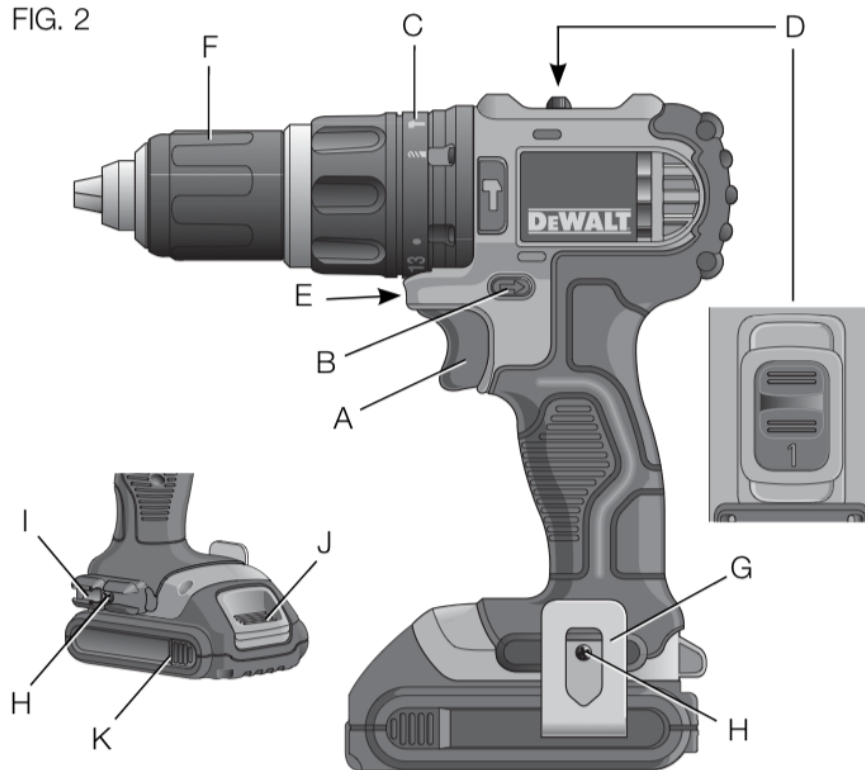
- 1 Variable speed trigger
- 2 Forward/reverse control button
- 3 Mode selection collar
- 4 Speed selector
- 5 Worklight
- 6 Keyless chuck
- 7 Belt hook (Optional accessory)
- 8 Mounting screw
- 9 Bit clip (Optional accessory)
- 10 Battery pack
- 11 Battery pack release button
- 12 Main handle

Fig. A



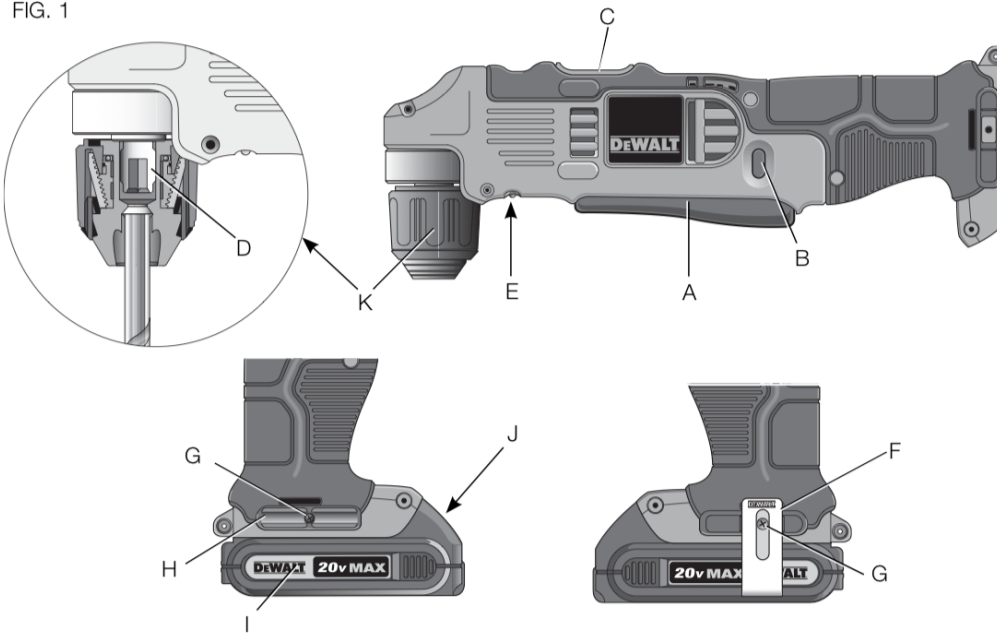
DCD780

- A. Trigger switch
- B. Forward/reverse control button
- C. Torque adjustment collar
- D. Gear shifter
- E. Worklight
- F. Keyless chuck
- G. Belt hook (Optional accessory)
- H. Mounting screw
- I. Bit clip (Optional accessory)
- J. Battery release button
- K. Battery pack



DCD740

FIG. 1



- A. Paddle switch
- B. Forward/reverse control button
- C. Gear shifter
- D. Deep hex pocket
- E. Work light
- F. Belt hook
- G. Mounting screw
- H. Bit clip
- I. Battery pack
- J. Battery release button
- K. Chuck with deep hex pocket